

All rights reserved by **CNH Industrial**.

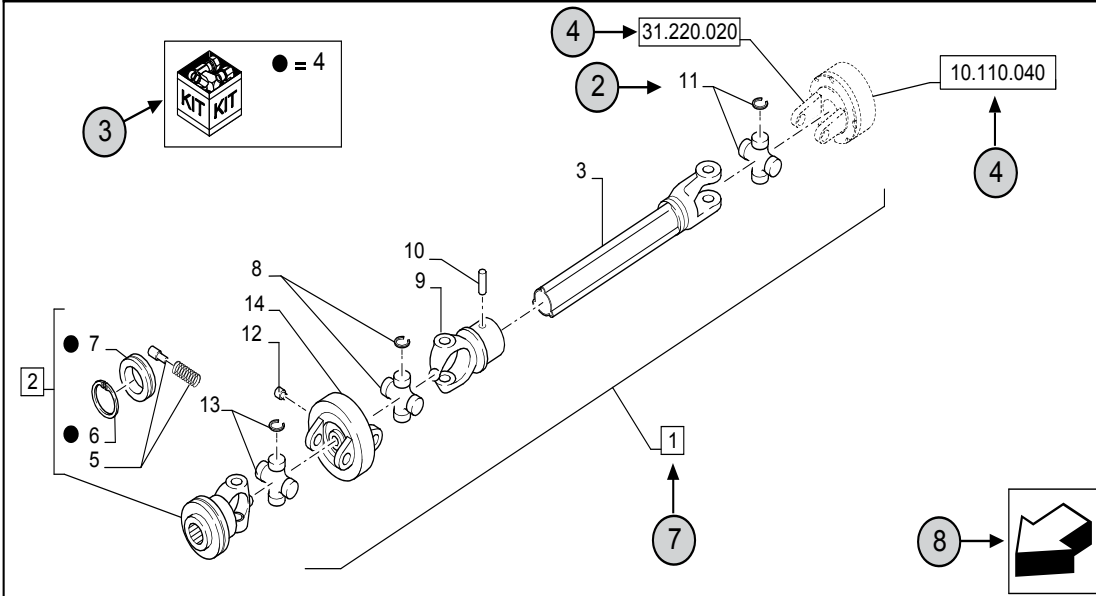
The information contained in this catalogue is intended to be of a general nature only. **CNH Industrial** may at any time and from time to time, for technical or other necessary reasons, modify any of the details or specifications of the product described in this catalogue.

To be sure of getting accurate, detailed and up-to-date information, an intending buyer should consult his nearest **CNH Industrial** dealer or distributor.

Single item numeration method used in this catalogue may not be used without written consent from **CNH Industrial**

31.220.010	01	p1	10/2014
------------	----	----	---------

VAR - 123782, 789101,987654 - PTO - D650



STANDARD ← (6)

(23)	(9)	(10)	31.220.010	01	p1	10/2014
------	-----	------	------------	----	----	---------

VAR - 123782, 789101,987654 - PTO - D650

(11) (12) (13) (14)

REF	FN	PART NUMBER	YR/SN	QTY	DESCRIPTION
1	1	86529340	(20)	1	SHAFT PTO, Incl 2 - 11
2	(15)	84014007		1	YOKE, Incl 4 - 7 ← (7)
3	(16)	NSS		1	NOT SERVICED SEPARATELY, SHAFT, 350mm, Incl in 1
4		84004292		1	KIT, Seal Kit, Incl 6, 7 (17)
4		{84058743}		1	KIT, Seal Kit, Incl 6, 7
(2)	(18)	(19)		(21)	(22)
1 = FOR ITALY ONLY ← (5)					

MODELS ← (1)


- 1 Model Number and Model Description
- 2 Reference - Figure call-out of the part number.
- 3 Parts supplied in repair kits per symbol reference.
- 4 31.220.020 Part illustrated on the **Page** or in the **Figure** indicated, or calls for **Variations** or **Details**. Indicates components shown in detail elsewhere in the catalogue under the figure number shown.
- 5 Footnote references
- 6 Figure notes
- 7 1 2 Includes item(s) (See Description within partlist).
- 8 Orientation. (Arrow indicates front of the machine). 
- 9 Figure description.
- 10 General information of the figure.
- 11 Figure title number that aligns with the SRT. Standard Repair Time.
- 12 **Sequence** code within the assembly.
- 13 Page number within the sequence code.
- 14 **Date** of printing or updating of page (month-year).
- 15 **Note** - Relating to the Part Number. There is a key to symbols and abbreviations at the bottom of the text page.
- 16 Non-serviced parts.
- 17 Further description of the part to help confirm identification.
- 18 Not available as service part.
- 19 Part Number.
- 20 To be defined.
- 21 Total **Quantity** of the Part referred to in the page.
The quantity can be replaced by the following indications:
AR = quantity as requested.
- 22 Part **Description**.
- 23 Variant Codes

TABLE OF CONTENTS

001		BUMPER & HOOD SUPPORTS
002		STEERING TOWER & FUEL TANK SUPPORTS
003		ATTACH-A-MATIC & HITCH ASSY.
003.01		CLEVIS HITCH KIT - TR94D7800
004		GEARBOX, MANUAL STEERING
005		MANUAL STEERING & TILT ASSEMBLY
006		GEARBOX & CYLINDER, POWER STEERING
007		POWER STEERING & TILT ASSEMBLY
008		TIE RODS, SPINDLE & FRONT AXLE ASSEMBLY
009		REAR AXLE & DIFFERENTIAL
010		HYDRO TRANSAXLE ASSEMBLY
011		DRIVE SHAFT ASSEMBLY
012		HYDRO LIFT, LOWER ASSEMBLY
012	A	HYDRO LIFT, LOWER ASSEMBLY (11/01/99)
013		HYDRO LIFT, UPPER ASSEMBLY
014		HOOD & HEADLIGHT ASSEMBLY
015		GRILL & SIDE PANELS
016		DASH ASSEMBLY
017		FENDER, FOOTREST & SEAT
018		SMART IN TURN REAR ASSEMBLY
019		HI-LO SHIFT ASSEMBLY - BSN T9AXXXX1
019	A	HI-LO SHIFT ASSEMBLY - ASN T9AXXXX1
020		PARKING BRAKE, UPPER ASSEMBLY
021		HYDRO CONTROLS ASSEMBLY
022		SMART IN TURN, FRONT ASSEMBLY
022A		KIT - SMART TURN DISABLE
023		PARKING BRAKE, LOWER ASSEMBLY
024		CRUISE CONTROL
025		FENDER & FUEL SYSTEM - BSN T9AXXXX1
025	A	FENDER & FUEL SYSTEM - ASN T9AXXXX1
026		WHEEL, REAR
027		ENGINE & RELATED PARTS - GT18 & GT22
028		ENGINE & RELATED PARTS - GT20
029		RADIATOR & HOSES - GT20
030		ELECTRICAL SYSTEM, GT18
031		ELECTRICAL SYSTEM, POWER STEERING - GT22

TABLE OF CONTENTS

032		ELECTRICAL SYSTEM, MANUAL STEERING - GT20
033		TRANSMISSION ASSEMBLY
034		CRANKCASE - GT20
035		PISTON & CRANKSHAFT - GT20
036		VALVE & CAMSHAFT - GT20
037		OIL PUMP & FILTER - GT20
038		WATER PUMP, FAN, & PULLEY - GT20
039		ELECTRICAL COMPONENTS - GT20
040		GOVERNOR - GT20
041		CARBURETOR ASSEMBLY - GT20
042		AIR CLEANER - GT20
043		FUEL PUMP & FILTER ASSEMBLY - GT20
044		STARTER - GT20
045		DECK ASSEMBLY, 42"
046		SPINDLE & PULLEYS, 42" (Jul 29 2009 2:38:00.0225 PM)
047		GAUGE WHEEL & SUSPENSION, 42" (Sep 23 2004 9:44:00.0226 AM)
048		PULLEY BOX ASSEMBLY - 42"
048	A	PULLEY BOX ASSEMBLY - 42" (5/15/2001-)
049		DECK ASSEMBLY - 44"
050		SPINDLE & PULLEYS - 44"
051		GAUGE WHEEL & SUSPENSION - 44"
051	A	PULLEY BOX ASSEMBLY - 44"
051	B	PULLEY BOX ASSEMBLY - 44" (5/15/2001-)
052		MULCHING KIT 44" - TR108D7195
053		DECK ASSEMBLY - 48"
053	A	SPINDLES & PULLEYS - 48"
054		GAUGE WHEEL & SUSPENSION - 48" (Sep 23 2004 9:44:00.0227 AM)
055		PULLEY BOX ASSEMBLY - 48"
055	A	PULLEY BOX ASSEMBLY - 48" (5/15/2001-)
055	B	MULCHING KIT, 48"
056		DECK ASSEMBLY - 52"
057		SPINDLES & PULLEYS, 52" (Oct 22 2010 9:19:00.0228 AM)
058		GAUGE WHEEL & SUSPENSION - 52"
058	A	PULLEY BOX ASSEMBLY - 52"
058	B	PULLEY BOX ASSEMBLY - 52" (5/15/2001-)
059		BAFFLES - 52" ASN T9BE0000

TABLE OF CONTENTS

060		DECK ASSEMBLY - 60" (Sep 24 2004 1:29:00.0230 PM)
061		SPINDLE & PULLEYS, 60" (OCT 17 2007 1:51:00.0229 PM)
062		GAUGE WHEEL & SUSPENSION - 60" (Sep 23 2004 9:44:00.0231 AM)
062	A	PULLEY BOX ASSEMBLY - 60"
062	B	PULLEY BOX ASSEMBLY - 60" (5/15/2001-)
063		MOUNTING & ATTACHMENT - 42" SNOWTHROWER
064		CHUTE & ROTATION - 42" SNOWTHROWER
065		AUGER & DRIVE - 42" SNOWTHROWER
066		DISCHARGE CHUTE - 44" SNOWTHROWER
067		JACK SHAFT ASSEMBLY - 44" SNOWTHROWER
068		WORM GEAR - 44" SNOWTHROWER (Apr 10 2008 3:38:00.0187 PM)
069		PULLEY BOX - 44" SNOWTHROWER
070		CRANK - 44" SNOWTHROWER
071		FRAME - 48" DOZER BLADE
072		BLADE - 48" DOZER BLADE
073		BLADE ASSEMBLY - 50" MID MOUNT BLADE
074		LEVER ASSEMBLY - 50" MID MOUNT BLADE
075		SHIELD & TINE ASSEMBLY, 36" TILLER (Jul 21 2005 10:41:00.0188 AM)
076		HITCH ASSEMBLY, 36" TILLER
077		PULLEY BOX ASSEMBLY, 36" TILLER
078		JACKSHAFT ASSEMBLY, 36" TILLER
079		CABLE GUIDE ASSEMBLY 36" TILLER
079A		REAR QUICK ATTACH HITCH
080		DRIVE COMPONENTS, VAC - BAGGERS
081		BLOWER HOUSING, VAC - BAGGERS
082		BAGGER TOP & CHUTE, VAC - BAGGERS
083		BELT SHIELD & SUPPORT BRACKET, VAC - BAGGER
084		BELT SHIELD & SUPPORT BRACKET, VAC - BAGGER
085		BAG & FRAME, VAC - BAGGERS
086		WEIGHT & BAFFLE, VAC - BAGGERS
089		ACCESSORIES

SECTION INDEX

COMPLETE MACHINE

001		BUMPER & HOOD SUPPORTS
002		STEERING TOWER & FUEL TANK SUPPORTS
003		ATTACH-A-MATIC & HITCH ASSY.
003.01		CLEVIS HITCH KIT - TR94D7800
004		GEARBOX, MANUAL STEERING
005		MANUAL STEERING & TILT ASSEMBLY
006		GEARBOX & CYLINDER, POWER STEERING
007		POWER STEERING & TILT ASSEMBLY
008		TIE RODS, SPINDLE & FRONT AXLE ASSEMBLY
009		REAR AXLE & DIFFERENTIAL
010		HYDRO TRANSAXLE ASSEMBLY
011		DRIVE SHAFT ASSEMBLY
012		HYDRO LIFT, LOWER ASSEMBLY
012	A	HYDRO LIFT, LOWER ASSEMBLY (11/01/99)
013		HYDRO LIFT, UPPER ASSEMBLY
014		HOOD & HEADLIGHT ASSEMBLY
015		GRILL & SIDE PANELS
016		DASH ASSEMBLY
017		FENDER, FOOTREST & SEAT
018		SMART IN TURN REAR ASSEMBLY
019		HI-LO SHIFT ASSEMBLY - BSN T9AXXXX1
019	A	HI-LO SHIFT ASSEMBLY - ASN T9AXXXX1
020		PARKING BRAKE, UPPER ASSEMBLY
021		HYDRO CONTROLS ASSEMBLY
022		SMART IN TURN, FRONT ASSEMBLY
022A		KIT - SMART TURN DISABLE
023		PARKING BRAKE, LOWER ASSEMBLY
024		CRUISE CONTROL
025		FENDER & FUEL SYSTEM - BSN T9AXXXX1
025	A	FENDER & FUEL SYSTEM - ASN T9AXXXX1
026		WHEEL, REAR
027		ENGINE & RELATED PARTS - GT18 & GT22
028		ENGINE & RELATED PARTS - GT20
029		RADIATOR & HOSES - GT20
030		ELECTRICAL SYSTEM, GT18

SECTION INDEX

COMPLETE MACHINE

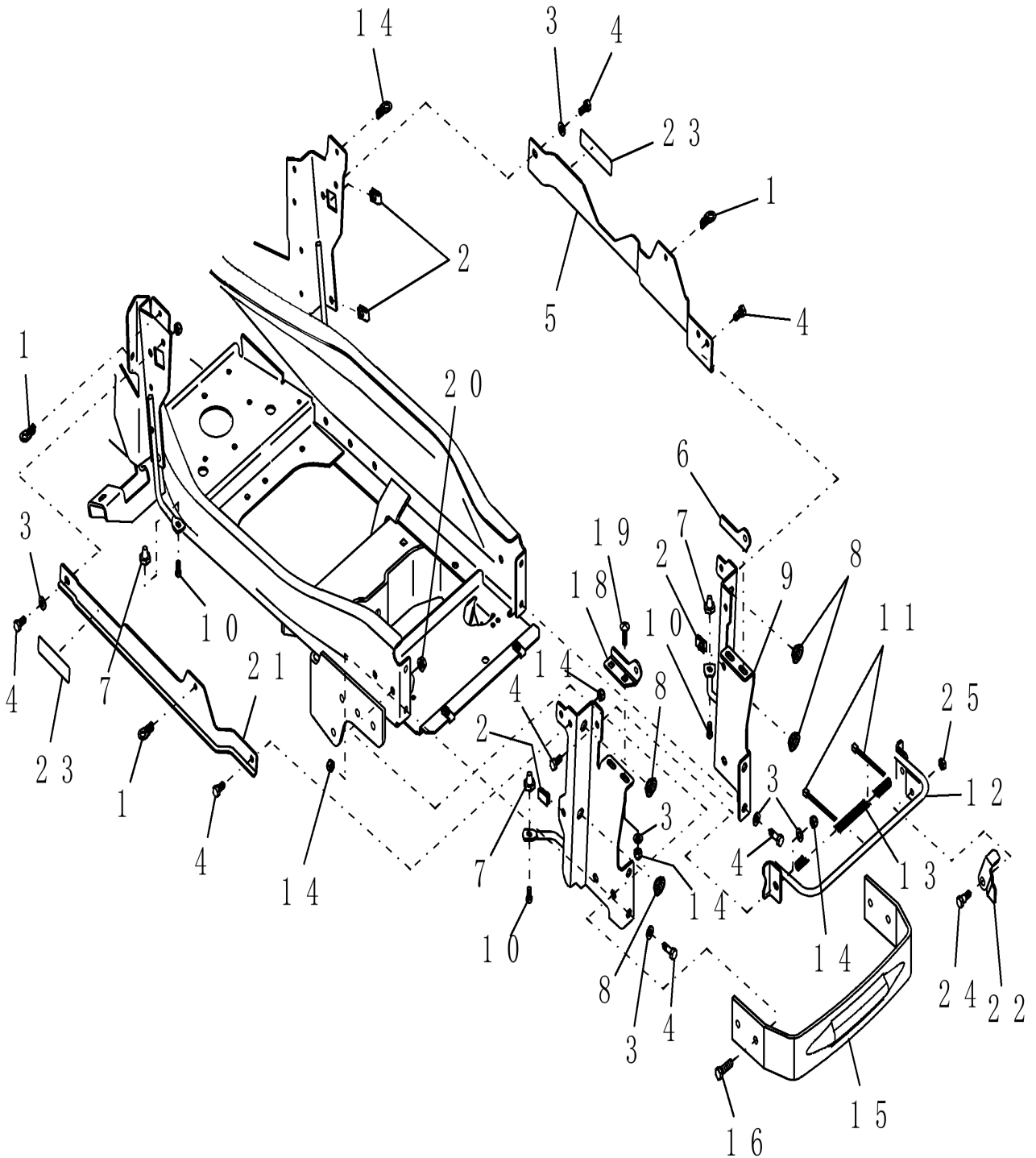
031		ELECTRICAL SYSTEM, POWER STEERING - GT22
032		ELECTRICAL SYSTEM, MANUAL STEERING - GT20
033		TRANSMISSION ASSEMBLY
034		CRANKCASE - GT20
035		PISTON & CRANKSHAFT - GT20
036		VALVE & CAMSHAFT - GT20
037		OIL PUMP & FILTER - GT20
038		WATER PUMP, FAN, & PULLEY - GT20
039		ELECTRICAL COMPONENTS - GT20
040		GOVERNOR - GT20
041		CARBURETOR ASSEMBLY - GT20
042		AIR CLEANER - GT20
043		FUEL PUMP & FILTER ASSEMBLY - GT20
044		STARTER - GT20
045		DECK ASSEMBLY, 42"
046		SPINDLE & PULLEYS, 42" (Jul 29 2009 2:38:00.0225 PM)
047		GAUGE WHEEL & SUSPENSION, 42" (Sep 23 2004 9:44:00.0226 AM)
048		PULLEY BOX ASSEMBLY - 42"
048	A	PULLEY BOX ASSEMBLY - 42" (5/15/2001-)
049		DECK ASSEMBLY - 44"
050		SPINDLE & PULLEYS - 44"
051		GAUGE WHEEL & SUSPENSION - 44"
051	A	PULLEY BOX ASSEMBLY - 44"
051	B	PULLEY BOX ASSEMBLY - 44" (5/15/2001-)
052		MULCHING KIT 44" - TR108D7195
053		DECK ASSEMBLY - 48"
053	A	SPINDLES & PULLEYS - 48"
054		GAUGE WHEEL & SUSPENSION - 48" (Sep 23 2004 9:44:00.0227 AM)
055		PULLEY BOX ASSEMBLY - 48"
055	A	PULLEY BOX ASSEMBLY - 48" (5/15/2001-)
055	B	MULCHING KIT, 48"
056		DECK ASSEMBLY - 52"
057		SPINDLES & PULLEYS, 52" (Oct 22 2010 9:19:00.0228 AM)
058		GAUGE WHEEL & SUSPENSION - 52"
058	A	PULLEY BOX ASSEMBLY - 52"

SECTION INDEX

COMPLETE MACHINE

058	B	PULLEY BOX ASSEMBLY - 52" (5/15/2001-)
059		BAFFLES - 52" ASN T9BE0000
060		DECK ASSEMBLY - 60" (Sep 24 2004 1:29:00.0230 PM)
061		SPINDLE & PULLEYS, 60" (OCT 17 2007 1:51:00.0229 PM)
062		GAUGE WHEEL & SUSPENSION - 60" (Sep 23 2004 9:44:00.0231 AM)
062	A	PULLEY BOX ASSEMBLY - 60"
062	B	PULLEY BOX ASSEMBLY - 60" (5/15/2001-)
063		MOUNTING & ATTACHMENT - 42" SNOWTHROWER
064		CHUTE & ROTATION - 42" SNOWTHROWER
065		AUGER & DRIVE - 42" SNOWTHROWER
066		DISCHARGE CHUTE - 44" SNOWTHROWER
067		JACK SHAFT ASSEMBLY - 44" SNOWTHROWER
068		WORM GEAR - 44" SNOWTHROWER (Apr 10 2008 3:38:00.0187 PM)
069		PULLEY BOX - 44" SNOWTHROWER
070		CRANK - 44" SNOWTHROWER
071		FRAME - 48" DOZER BLADE
072		BLADE - 48" DOZER BLADE
073		BLADE ASSEMBLY - 50" MID MOUNT BLADE
074		LEVER ASSEMBLY - 50" MID MOUNT BLADE
075		SHIELD & TINE ASSEMBLY, 36" TILLER (Jul 21 2005 10:41:00.0188 AM)
076		HITCH ASSEMBLY, 36" TILLER
077		PULLEY BOX ASSEMBLY, 36" TILLER
078		JACKSHAFT ASSEMBLY, 36" TILLER
079		CABLE GUIDE ASSEMBLY 36" TILLER
079A		REAR QUICK ATTACH HITCH
080		DRIVE COMPONENTS, VAC - BAGGERS
081		BLOWER HOUSING, VAC - BAGGERS
082		BAGGER TOP & CHUTE, VAC - BAGGERS
083		BELT SHIELD & SUPPORT BRACKET, VAC - BAGGER
084		BELT SHIELD & SUPPORT BRACKET, VAC - BAGGER
085		BAG & FRAME, VAC - BAGGERS
086		WEIGHT & BAFFLE, VAC - BAGGERS
089		ACCESSORIES

BUMPER & HOOD SUPPORTS



Model/Component - 716497006, 716497016, 716497026, 716498006, 716498016, 716498026, 716499006, 716499016, 716499026, 716500006, 716500016, 716500026

BUMPER & HOOD SUPPORTS

REF FN	PART NUMBER	YR/SN	QTY DESCRIPTION
1	TR95D4013		4 LATCH Assembly
2	TR107069		6 NUT Panel
3	1 87362		12 WASHER 5/16" SAE SAE, 5/16"
4	2 PL		12 PROCURE LOCALLY Screw, HH
5	TR98D5064		1 SUPPORT Assemble, Includes Ref: 23
6	TR94D7995D03		1 BRACKET Hinge, Lower LH
6	TR98D9026D03		1 BRACKET Hinge, Lower LH
7	TR95D3989		4 SPARE PART Mount, Side Panel
8	TR94D7910		4 GROMMET
9	TR95D4082D03		1 SUPPORT Hood, Support LH
10	TR46D8093		4 SCREW TAP
11	TR614249		2 SECURING STRAP Tie, Strap
12	TR98D7203		1 SUPPORT Hood
12	TR99D5305		1 SUPPORT Hood
13	TR95D4258		1 COVER Brace
14	3 PL		16 PROCURE LOCALLY Nut, Lock-NI, 312-18,STL,YZ,LIGHT
15	TR94D2308		1 BUMPER Frame
16	4 PL		4 PROCURE LOCALLY Screw, HH
17	TR95D4081D03		1 SUPPORT Hood, Support RH
18	TR94D7994		1 BRACKET Hinge Lower RH
18	TR98D9027D03		1 BRACKET Hinge Lower RH
19	5 PL		4 PROCURE LOCALLY Screw, CARR
20	6 PL		4 PROCURE LOCALLY Nut, Lock
21	TR98D5061		1 SUPPORT ASM, Including Ref: 23
21	TR99D5345		1 SUPPORT ASM, Including Ref: 23
22	TR98D9015		1 LEVER Hood Prop
23	TR98D5014		2 DECAL Warning
24	TR37D8771		1 BOLT Screw, Shoulder
25	7 PL		1 PROCURE LOCALLY Nut, Lock

(1) 3256-23

(2) 322-3

(3) 3296-29

(4) 323-7

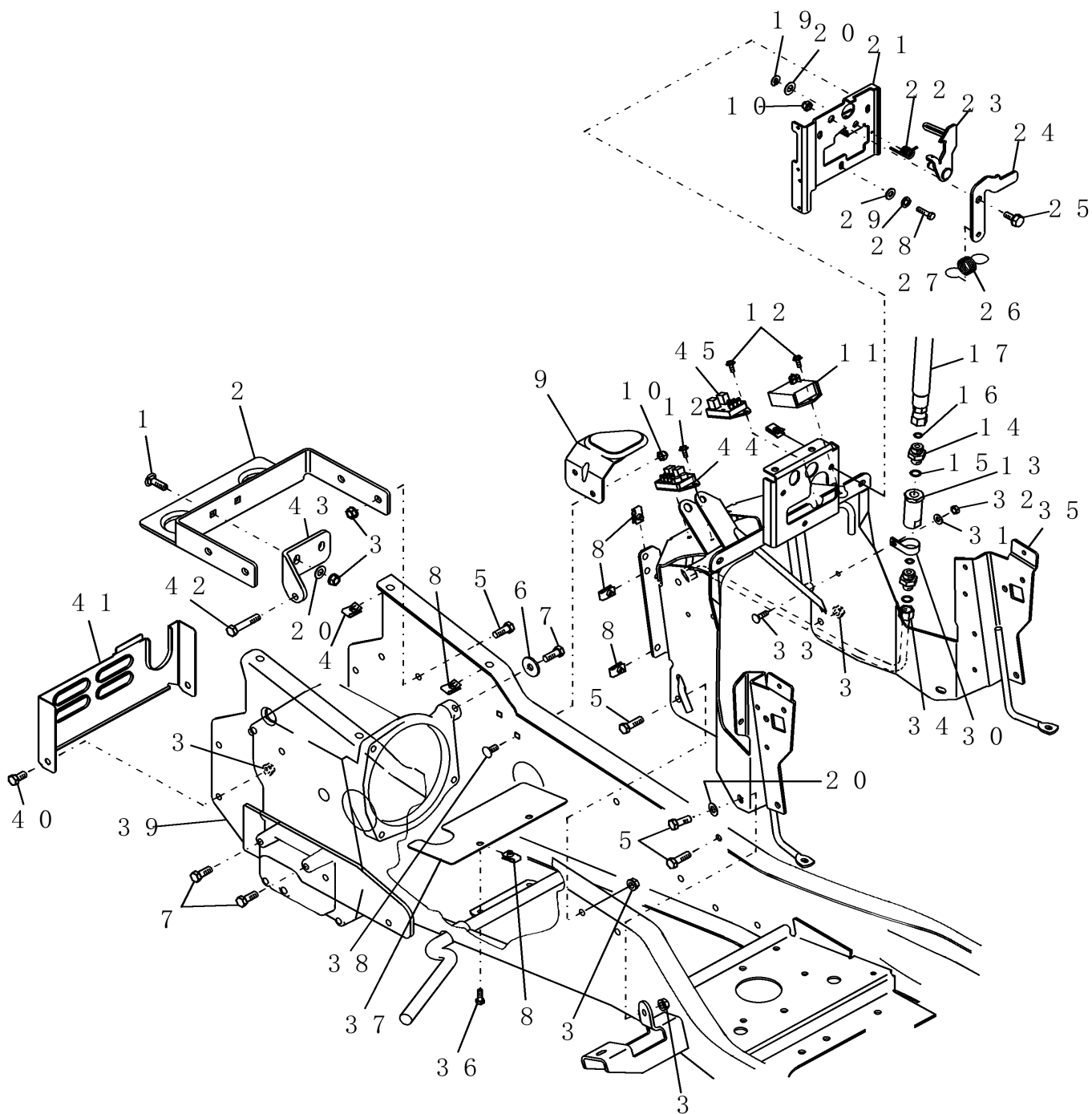
(5) 3230-16

(6) 3296-39

(7) 3296-47

715699006 715704006 716497006 716497016 716497026 716498006 716498016
716498026 716499006 716499016 716499026 716500006 716500016 716500026
716504006 716506006 716523006 GT18 GT20 GT22 GT22

STEERING TOWER & FUEL TANK SUPPORTS



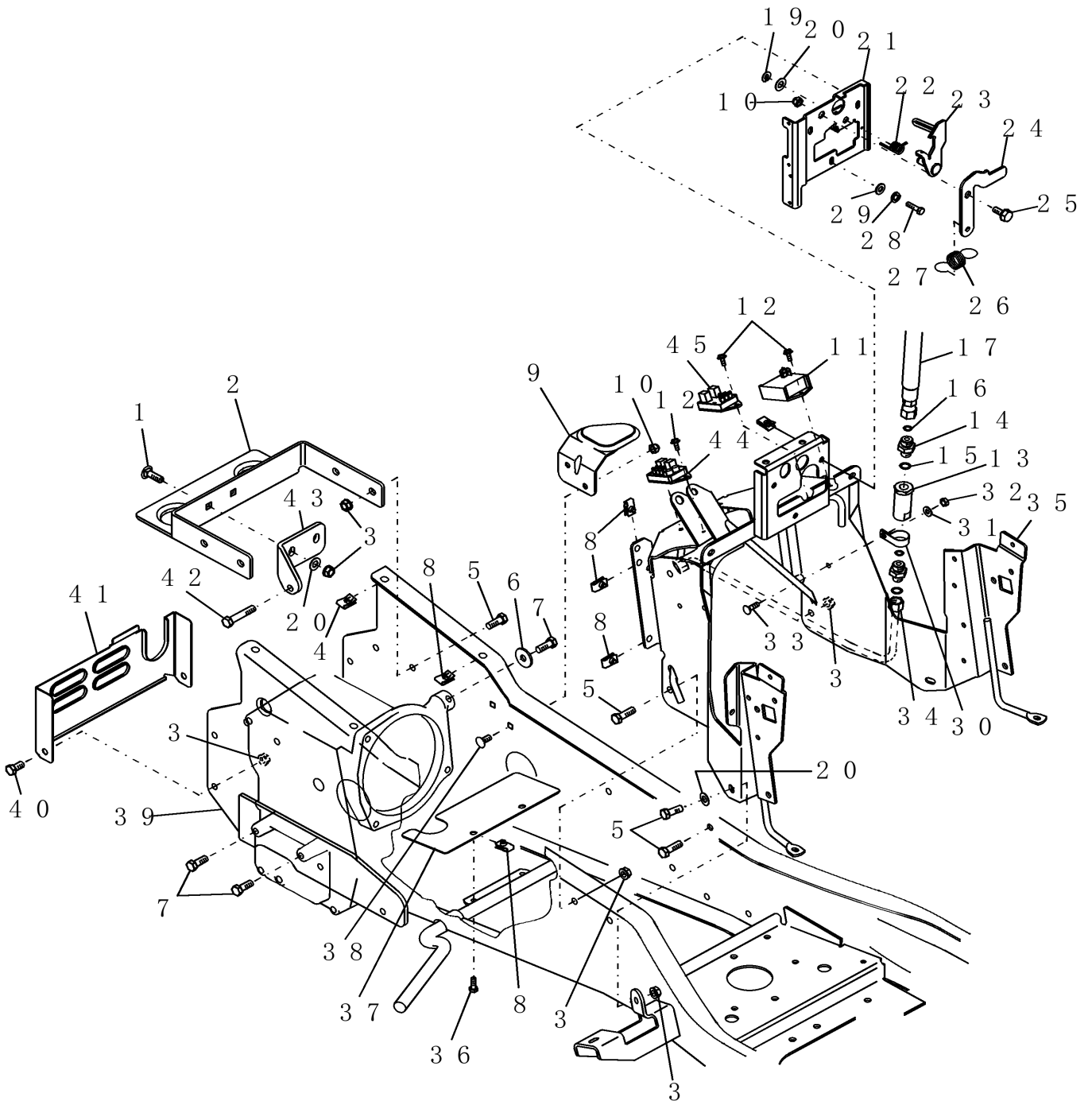
Model/Component - 716497006, 716497016, 716497026, 716498006, 716498016, 716498026, 716499006, 716499016, 716499026, 716500006, 716500016, 716500026

STEERING TOWER & FUEL TANK SUPPORTS

REF FN	PART NUMBER	YR/SN	QTY DESCRIPTION
1	1 PL		2 PROCURE LOCALLY Screw, CARR
2	TR94D7740		1 SUPPORT Gas Tank
3	2 PL		10 PROCURE LOCALLY Nut, Lock
4	TR94D2413		4 NUT U-Nut
5	3 PL		8 PROCURE LOCALLY Screw, HH
6	58225		1 WASHER 10.32mm ID x 31.8mm OD x 3.45mm Thk Flat
7	4 PL		5 PROCURE LOCALLY Screw, HH
8	TR107069		10 NUT Panel
9	TR95D3961		1 SUPPORT Fuel Tank
10	5 PL		3 PROCURE LOCALLY Nut, Lock
11	TR94D7613		1 MODULE Kawasaki, GT20
11	TR99D1936		1 MODULE Kawasaki, GT20
12	6 PL		4 PROCURE LOCALLY Screw, Thread Forming, GT20
13	TR95D3991		1 FILTER Hydraulic Screen, GT20 & GT22 W/Power Steering
14	TR95D4138		2 HYD CONNECTOR Fitting, Hydraulic Straight, GT20 & GT22 W/Power Steering Includes Ref: 15 & 16
15	TR237D22		2 O-RING GT20 & GT22 W/Power Steering
16	TR237D42		2 O-RING GT20 & GT22 W/Power Steering
17	TR95D3807		1 HOSE ASM, GT20 & GT22
18	7 TR95D3029		1 MODULE Cruise, GT20
19	86000439		1 SNAP RING 0.288" ID x 0.66" OD x 0.037" Thk, External Ring, Snap, #37, Ext
20	TR3256D24		5 WASHER Flat
21	TR95D3892		1 BRACKET Latch
22	TR95D4165		1 SPRING Torsion
23	TR95D3899		1 LEVER Latch, Lever
24	TR95D3900		1 LEVER Tension, Latch
(1)	3231-25		
(2)	3296-39		
(3)	323-7		
(4)	3235-22		
(5)	3296-29		
(6)	12-5450		
(7)	Not Illustrated		

715699006 715704006 716497006 716497016 716497026 716498006 716498016
716498026 716499006 716499016 716499026 716500006 716500016 716500026
716504006 716506006 716523006 GT18 GT20 GT22 GT22

STEERING TOWER & FUEL TANK SUPPORTS



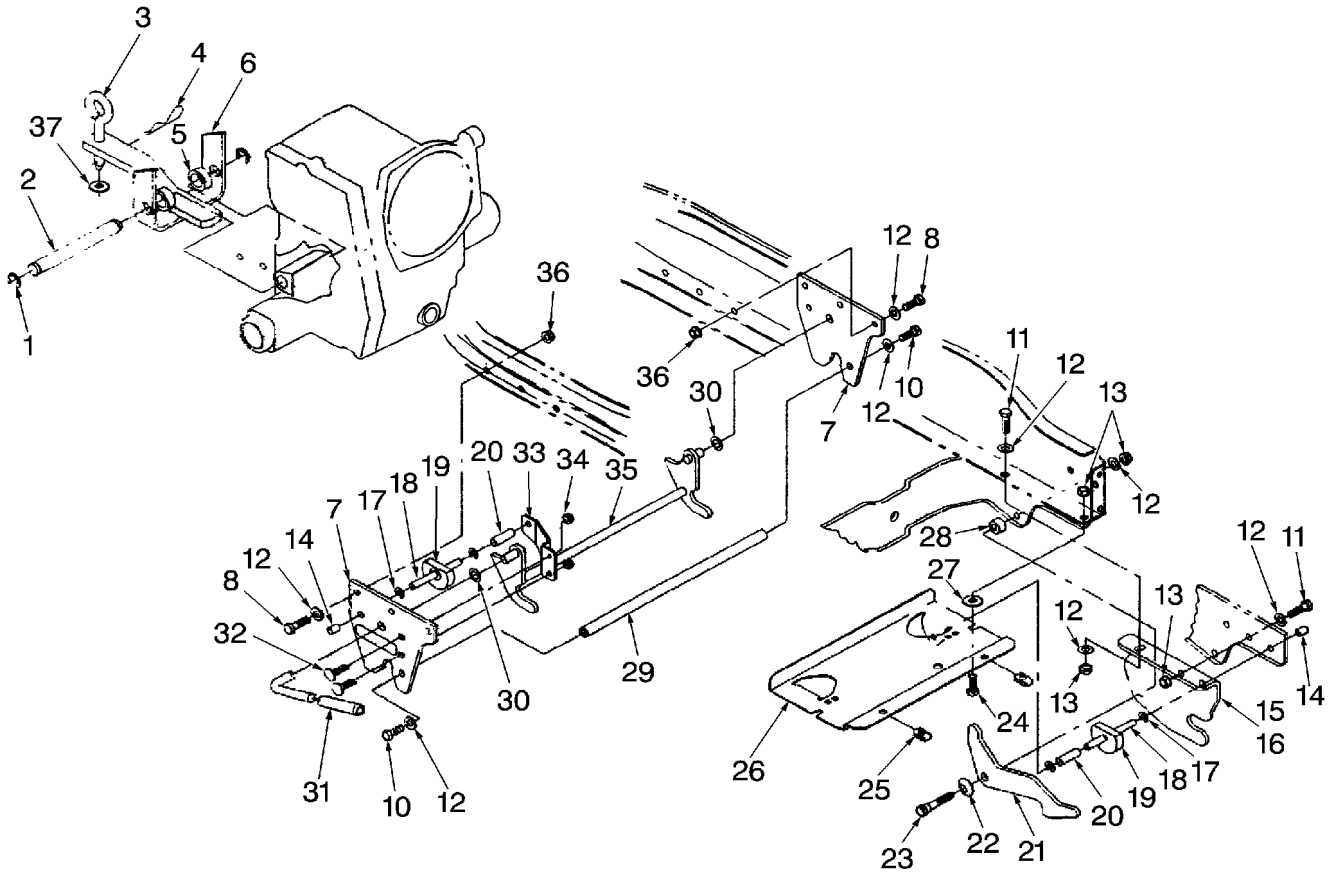
Model/Component - 716497006, 716497016, 716497026, 716498006, 716498016, 716498026, 716499006, 716499016, 716499026, 716500006, 716500016, 716500026

STEERING TOWER & FUEL TANK SUPPORTS

REF FN	PART NUMBER	YR/SN	QTY	DESCRIPTION
25	TR37D8771		1	BOLT Shoulder
26	TR95D3895		1	SPRING Extension
27	1 PL		3	PROCURE LOCALLY Screw, HH
28	2 PL		3	PROCURE LOCALLY Washer, Lock
29	3 PL		3	PROCURE LOCALLY Washer, Flat
30	TR2412D106		1	CLAMP R, GT20 & GT22 W/Power Steering
31	PL		1	PROCURE LOCALLY Washer, Flat, GT20 & GT22 W/Power Steering
32	PL		1	PROCURE LOCALLY Nut, Lock, GT20 & GT22 W/Power Steering
33	PL		1	PROCURE LOCALLY Screw, CARR, GT20 & GT22 W/Power Steering
34	TR94D7971		1	TUBE Hydraulic, GT20 & GT22 W/Power Steering
35	TR94D7643		1	SPARE PART Tower
35	TR99D4441D03		1	SPARE PART Tower
36	1 PL		2	PROCURE LOCALLY Screw, HH
37	TR95D4246		1	DEFLECTOR Baffle, Fan
38	4 PL		2	PROCURE LOCALLY Bolt, CARR
39	TR94D2083		1	FRAME
39	TR99D5306D03		1	FRAME
40	5 PL		2	PROCURE LOCALLY Screw, HH
41	TR95D4005		1	COVER Rear
42	TR94D7972		1	SCREW HH
43	TR94D7739		1	SECURING STRAP Strap, Torque
44	TR99D3703		1	MODULE Cruise, GT 20, GT22
45	TR99D3701		1	MODULE No Mow In Reverse, Clutch
(1)	321-4			
(2)	3253-3			
(3)	3256-22			
(4)	3230-20			
(5)	323-4			

715699006 715704006 716497006 716497016 716497026 716498006 716498016
716498026 716499006 716499016 716499026 716500006 716500016 716500026
716504006 716506006 716523006 GT18 GT20 GT22 GT22

ATTACH-A-MATIC & HITCH ASSY.



Model/Component - 716497006, 716497016, 716497026, 716498006, 716498016, 716498026, 716499006, 716499016, 716499026, 716500006, 716500016, 716500026

ATTACH-A-MATIC & HITCH ASSY.

REF FN	PART NUMBER	YR/SN	QTY DESCRIPTION
1	TR5618		2 SNAP RING Ring, Retaining
2	TR105269		1 PIN Hitch
3	TR106634		1 PIN Attachment
4	TR9335054		1 PIN Hairpin
5	TR9791204		2 SPACER
6	TR1644		1 3 POINT HITCH Hitch, ASM
6	TR98D8083D03		1 HITCH ASM
7	TR94D2251		2 PLATE Hitch
8	1 PL		6 PROCURE LOCALLY Screw, HH
10	2 PL		2 PROCURE LOCALLY Srew, HH
11	3 PL		4 PROCURE LOCALLY Screw, HH
12	4 TR3256D24		16 WASHER Flat
13	5 PL		8 PROCURE LOCALLY Nut, Lock
14	TR105316		3 CAP Rod
15	TR94D2230		1 HANGER R.H.
16	TR94D2231		1 HANGER L.H.
17	86000439		6 SNAP RING 0.288" ID x 0.66" OD x 0.037" Thk, External Ring, Snap, #37, Ext
18	TR94D2256		3 ROD Lock
19	TR94D2258		3 LOCK Latch
20	TR8616		3 SPRING Compression
21	TR94D7777		2 LATCH Pulley Box
22	TR3290D221		2 WASHER Spring
23	6 TR92D7674		2 SPECIAL BOLT Bolt, Shoulder Hex head w/ flange and shoulder, 3/8-16 fully threaded
24	7 PL		2 PROCURE LOCALLY Screw, HH
25	TR107069		2 NUT Panel
26	TR94D2304		1 BATTERY TRAY Tray, Battery
27	8 PL		2 PROCURE LOCALLY Washer, Thrust

(1) 323-44

(2) 3235-22

(3) 323-7

(4) 3256-24

(5) 3296-39

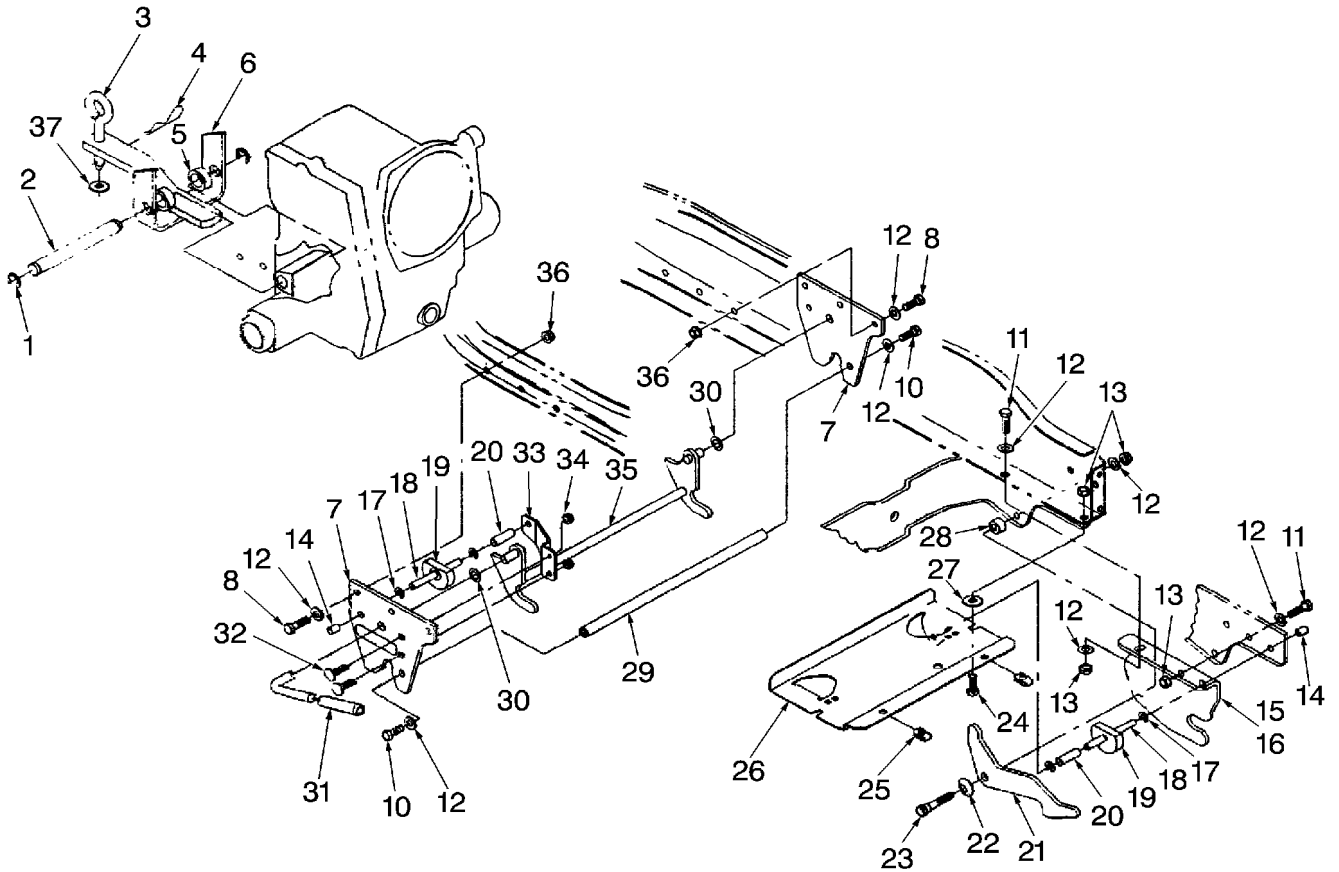
(6) 92-7674

(7) 323-6

(8) 3-4685

715699006 715704006 716497006 716497016 716497026 716498006 716498016
716498026 716499006 716499016 716499026 716500006 716500016 716500026
716504006 716506006 716523006 GT18 GT20 GT22 GT22

ATTACH-A-MATIC & HITCH ASSY.



Model/Component - 716497006, 716497016, 716497026, 716498006, 716498016, 716498026, 716499006, 716499016, 716499026, 716500006, 716500016, 716500026

**Thanks very much for your reading,
Want to get more information,
Please click here, Then get the complete
manual**

JustClickHere 

NOTE:

**If there is no response to click on the link above,
please download the PDF document first, and then
click on it.**

**Have any questions please write to me:
admin@servicemanualperfect.com**